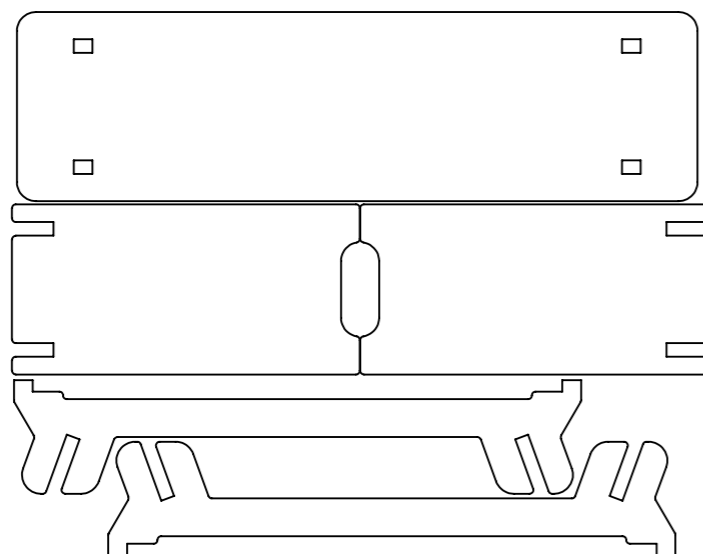
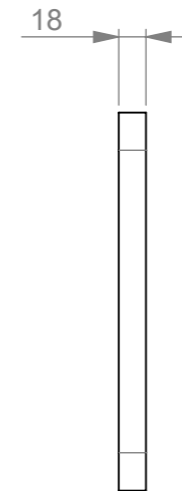
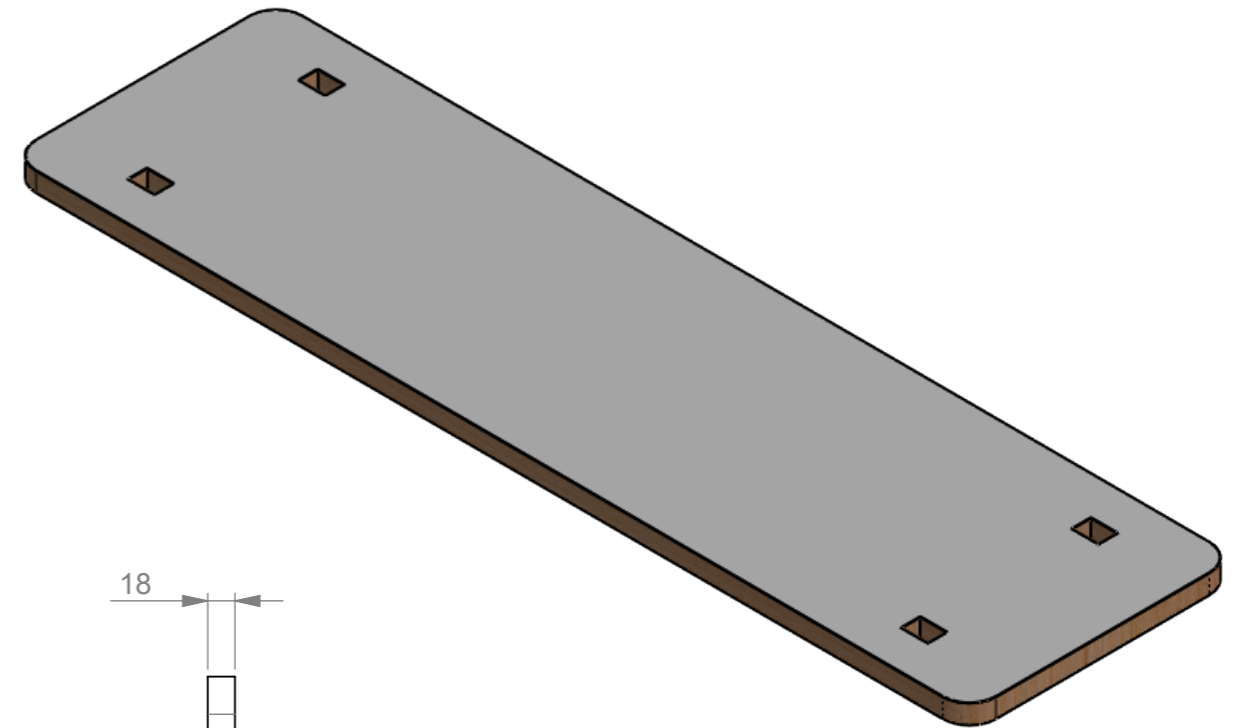
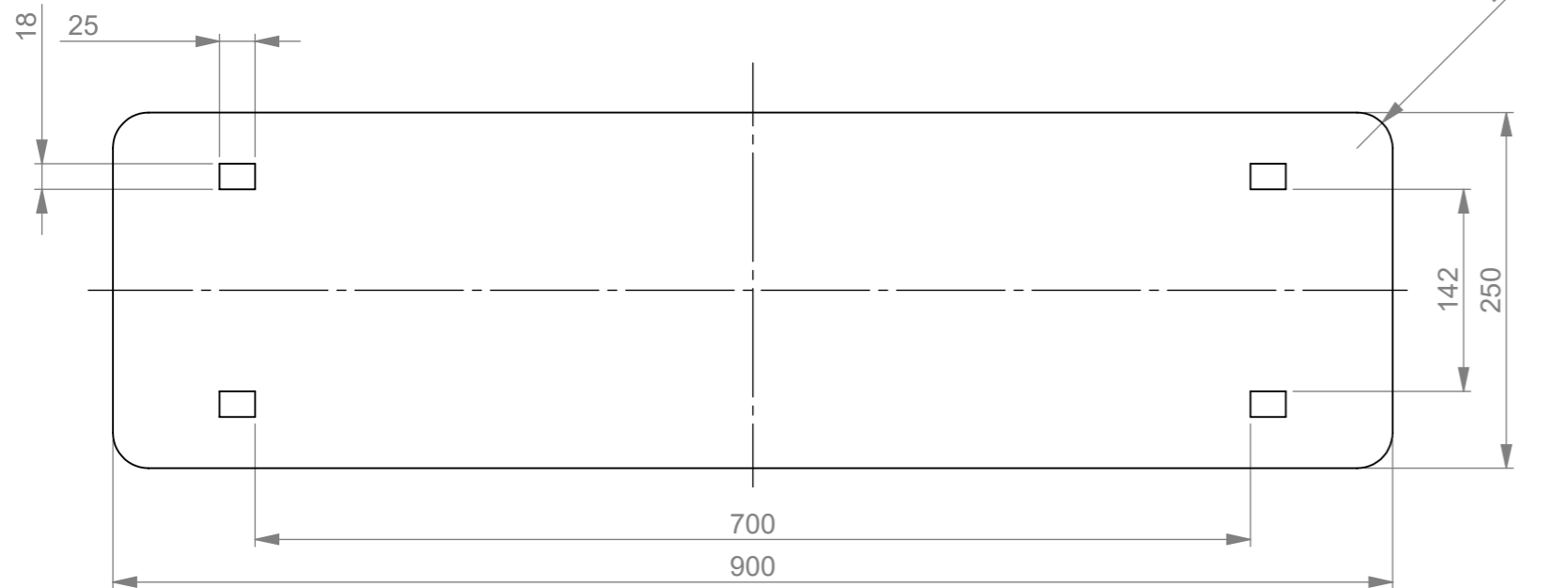


Cutting pattern

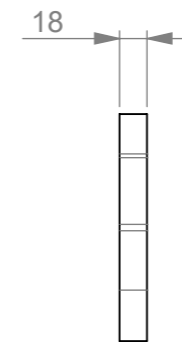
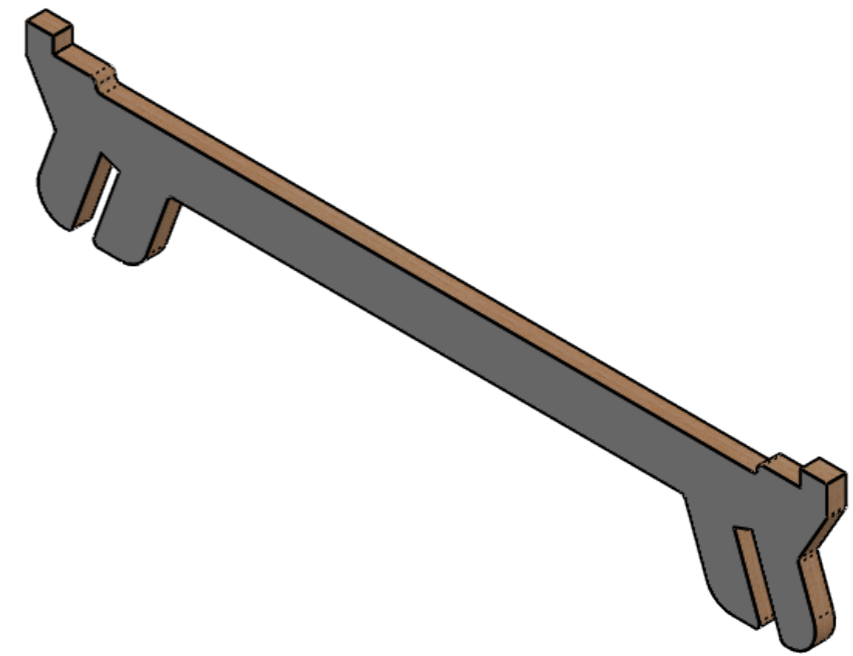
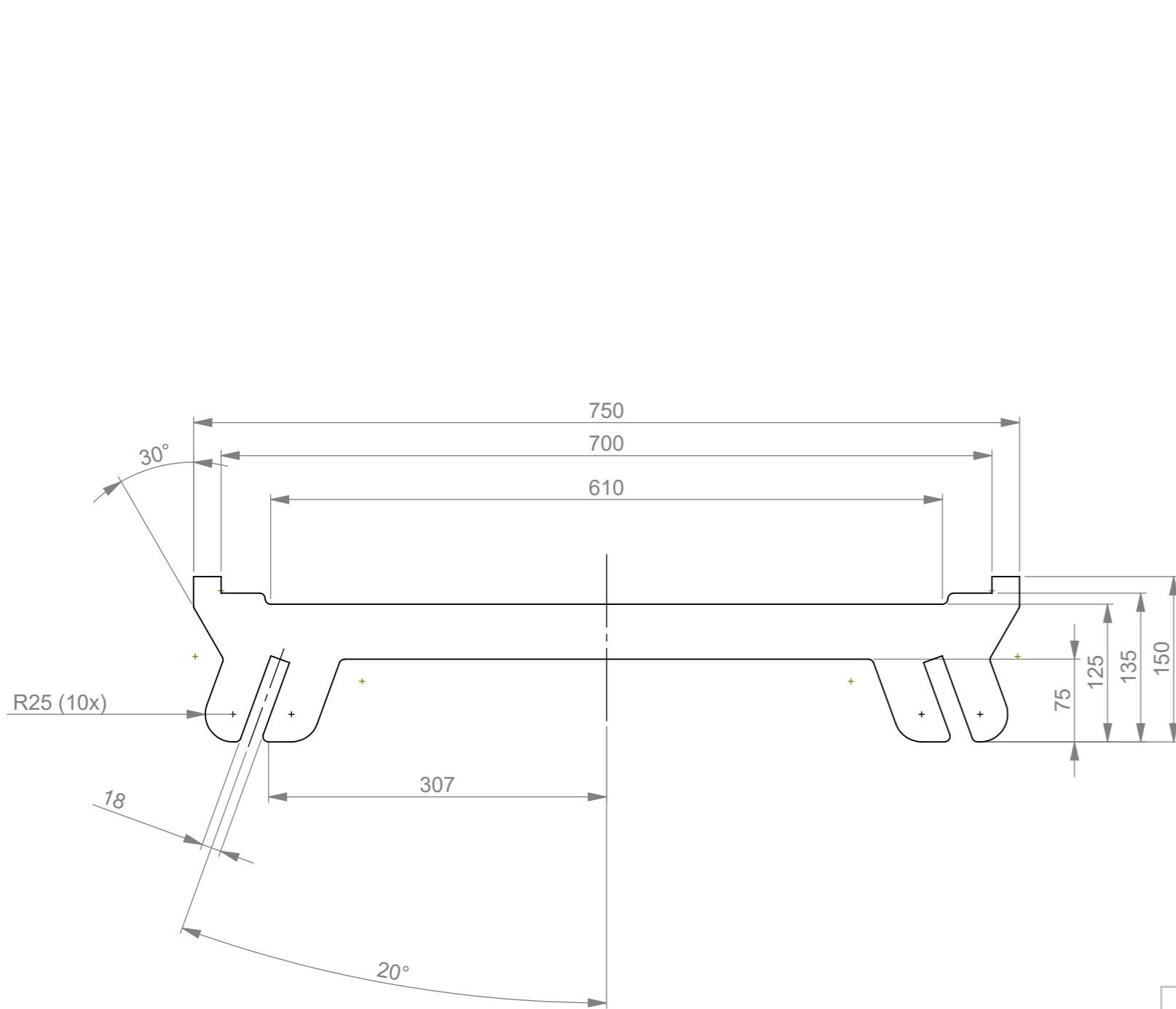


ITEM NO.	PART NUMBER	QTY.
1	WTB bench top v1903	1
2	WTB bench rail v1903	2
3	WTB bench foot v1903	2

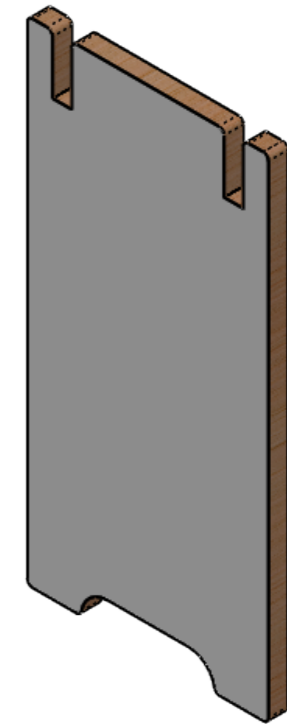
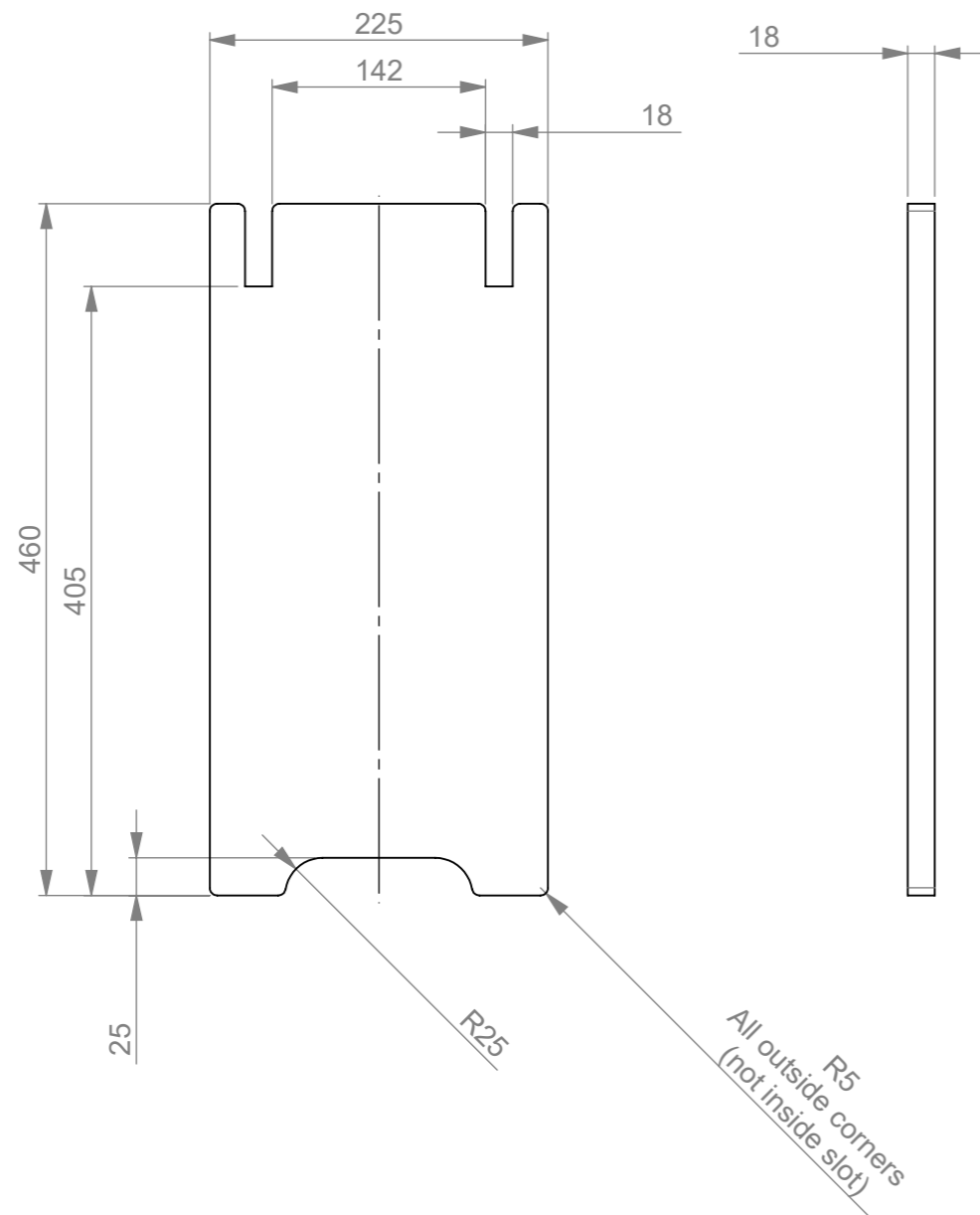
	units mm	scale 1:10	quantity	date 24/03/2021	remark
material			mass gr		
author J. Joustra			group DE - DfS		
name WTB slotted bench v1903					
 Delft University of Technology				format	drawing no.
				<b>A3</b>	



	units mm	scale 1:5	quantity 1	date 24/03/2021	remark Water jet cutting
material				mass gr	
author	J. Joustra			group DE - DfS	
name	WTB bench top v1903				
				format <b>A3</b>	drawing no.



	units	mm	scale	1:5	quantity	2	date	24/03/2021	remark	Water jet cutting
	material						mass	gr		
	author	J. Joustra					group	DE - DfS		
	name	WTB bench rail v1903								
 <b>TU Delft</b> Delft University of Technology								format	drawing no.	
								<b>A3</b>		



	units mm	scale 1:5	quantity 2	date 24/03/2021	remark Water jet cutting
material				mass gr	
author	J. Joustra			group DE - DfS	
name	WTB bench foot v1903				
 <b>TU Delft</b> Delft University of Technology				format <b>A3</b>	drawing no.